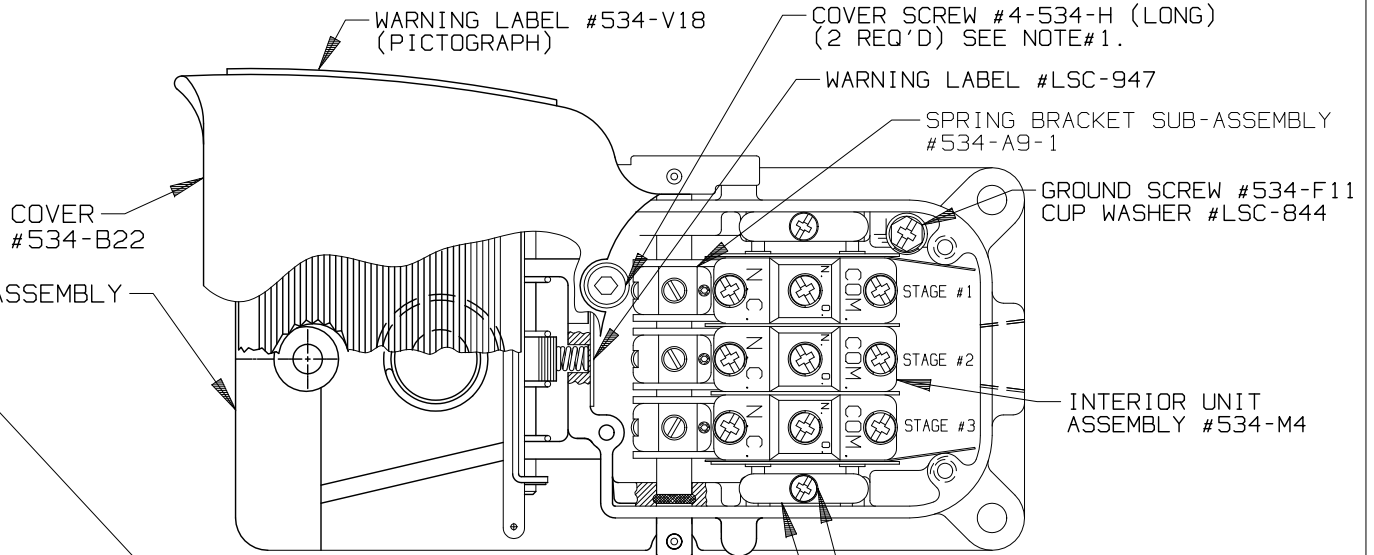
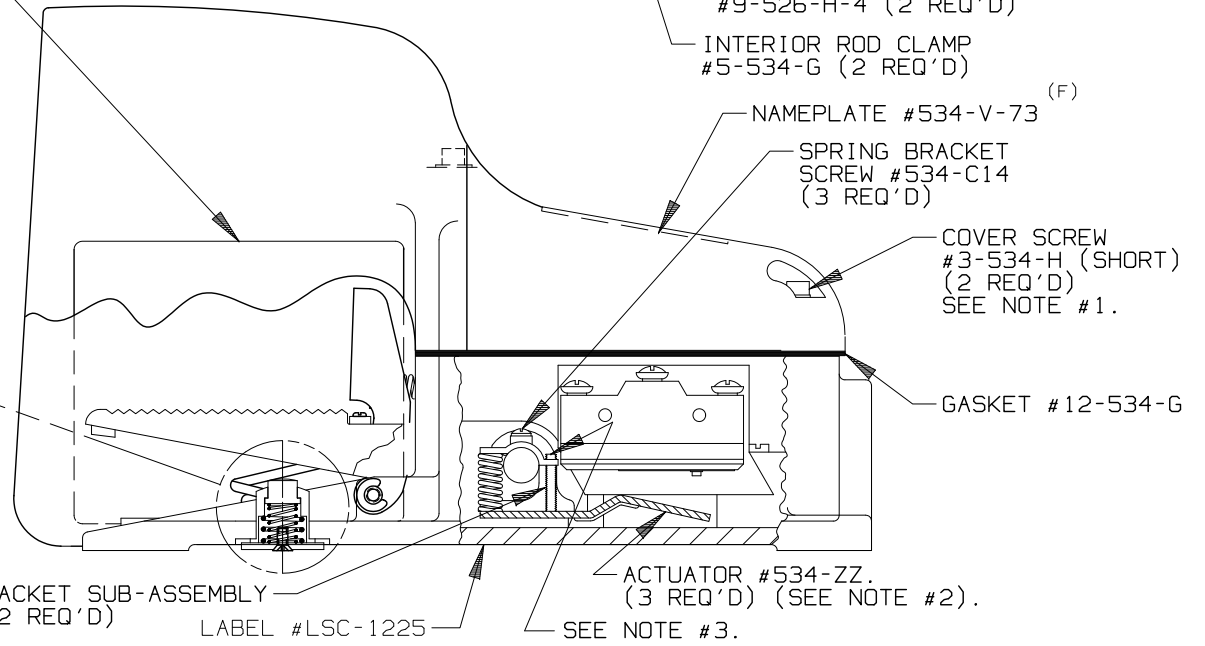
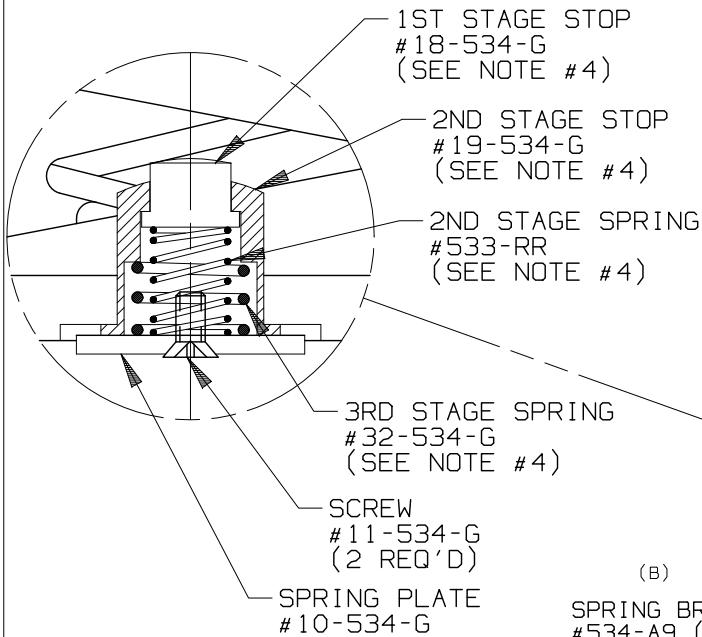


NOTES:

1. LIGHTLY LUBRICATE WITH #LSC-793-13.
2. GREASE UNDERSIDE OF ACTUATOR EARS AND WHERE ADJUSTING SCREW TOUCHES ACTUATOR WITH #LSC-793-26.
3. APPLY ADHESIVE #LSC-569-5 TO ADJUSTING SCREW THREADS.
4. GREASE STAGING STOPS & SPRINGS WITH #LSC-793-26.



WARNING LABELS #534-U11 (RIGHT SIDE) & #534-V18 (LEFT SIDE) TO BE LOCATED UP FROM BOTTOM & APPROX. CENTERED FROM LEFT TO RIGHT ON OUTSIDE OF GUARD.



FINISH: INSIDE AND OUTSIDE OF COVER, BASE AND TREADLE: ALERT ORANGE S/T (#LSC-370-46)

LINEMASTER SWITCH CORP. WOODSTOCK, CT. USA	NAME:	ASSEMBLY		DR.	APP.	SCALE	MAT.	DWG. NO.	REV.
	FOR	HERCULES FOOT SWITCH #575-DWHOXA		KWH	RDC	NONE		575-DWHOXA	G

DRAWING NO. 575-DWHOXA

REVISIONS

REVISION LEVEL	DATE	DESCRIPTION
A	08-01-01	REVISED QTY OF CARTON LABEL LSC-209-178 TO BE 1.400; WAS 1.000. (ECN 008025)(JTL)
B	12-28-01	ADDED SPRING BRACKET SUB-ASSEMBLY 534-A9-1; REVISED QTY OF 534-A9 TO BE 2.000; REMOVED DATE CODE INFO. REVISED BOM AND ROUTER ACCORDINGLY. (ECN 008698)(JTL)
C	10-10-02	REMOVED PAINT LSC-370-46 FROM BOM. (ECN 009861)(JTL)
D	01-28-05	CHANGED CARTONS ON B.O.M. AND ROUTER, LSC-1027-33 WAS LSC-227-103-1 LSC-1027-34 WAS LSC-227-104 AND ADDED FILLER LSC-227-90 TO B.O.M. AND ROUTER. (ECN 012071)(CAP)
E	10-27-05	REVISED TO HAVE A DETAILED ROUTER. (ECN 0500048)(JTL)
F	03-23-06	ADDED STEP TO ROUTER FOR TAPING SINGLE CARTON LSC-1027-33 SHUT WITH 3 INCH CLEAR PACKING TAPE. (ECN 0600178)(KG)
G	08-18-14	REVISED TO ADD LABEL LSC-1225. (ECN 1400197)(KG)