

9336 ÷ 9340

7



Aluminium

2500 mm

Inox

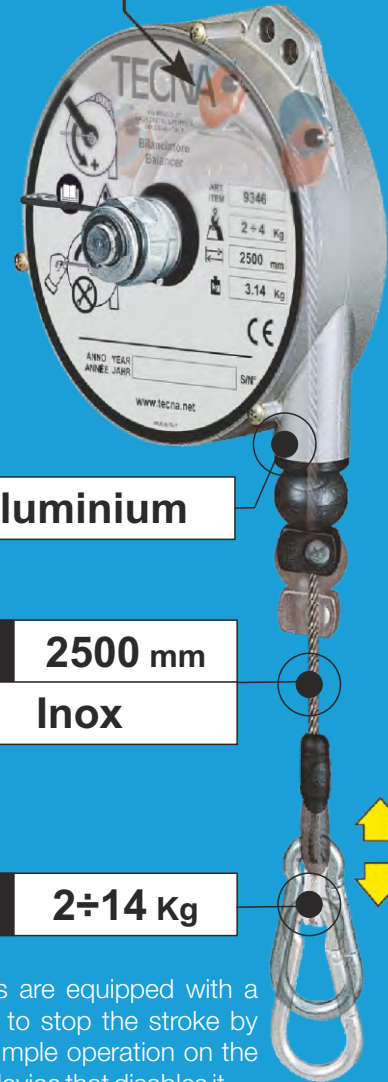
2÷14 Kg

9346 ÷ 9350

8



STOP



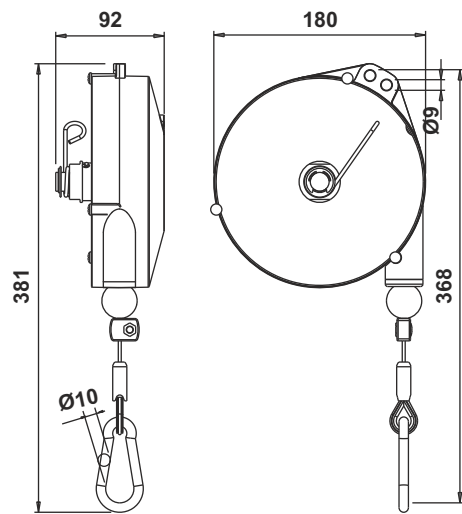
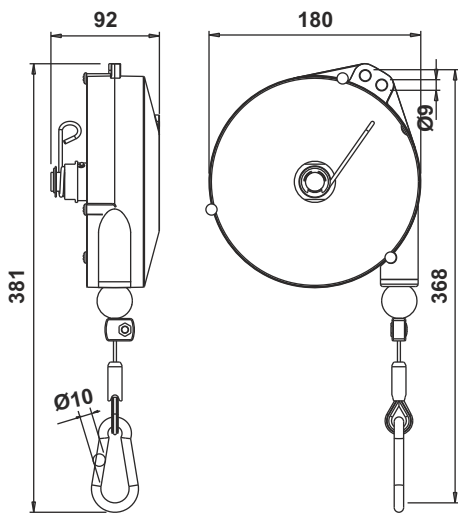
Aluminium

2500 mm

Inox

2÷14 Kg


These balancers are equipped with a device enabling to stop the stroke by carrying out a simple operation on the load and with a device that disables it.



Item	9336	9337	9338	9339	9340
	2÷4	4÷6	6÷8	8÷10	10÷14
Kg	3,14	3,30	3,36	3,43	3,58

Item	9346	9347	9348	9349	9350
	2÷4	4÷6	6÷8	8÷10	10÷14
Kg	3,14	3,32	3,38	3,48	3,62

BALANCERS TECHNICAL FEATURES

	3 1	4 2	6 5	9 7	10 8	12 11	14 16 13 15	19 22 18 21 17 20	19 22 18 21 17 20	23	23	
kg	0,2÷3	0,4÷3	1÷8	2÷14	2÷14	4÷25	10÷105	15÷180	15÷180	20÷100	12÷70	Capacity
mm	1600	1600	2000	2500	2500	2000	2000	2500	3000	2100	2700	Stroke
●												Rugged construction, Nylon body
	●	●	●	●								Rugged construction, cast aluminium body
						●	●	●	●	●	●	Ribbed and sealed construction in aluminium alloy
● ³	● ⁴	● ⁶	● ⁹	● ¹⁰								Polypropylene / Dyneema rope, for «NY» model
● ¹	● ²	● ⁵	● ⁷	● ⁸	●	●	●	●	●	●	●	Stainless steel rope
●	●	●	●	●								Adjustable capacity
						●	●	●	●	●	●	Adjustable capacity by means of a worm screw
●	●	●	●	●	●	●	●	●	●	●	●	Safety suspension
		●	●	●	●	●	●	●	●	●	●	Safety device against load dropping due to the spring breakage (capacity >3kg)
						●	●	●				Centrifugal safety device
						●	●	●	●	●	●	Upper rotary suspension with safety hook
						●	●	●	●	●	●	Locking device to block the load at any height
●	●	●	●	●	●	●	●	●	●	●	●	Adjustable stroke limiting device
						●	●	●	●	●	●	Taper drum rotating on ball bearings
●	●	●	●	●	●	●	●	●	●	●	●	Cable guide in antifriction material
						●	●	●	●	●	●	Cable guide in antifriction material
							●	●				Rotary upper hook with ball bearing
							●	●				Lining up upper hook
●	●	●	●	●	●	●	●	●	●	●	●	Inert spring drum assembly
●	●	●	●	●			●					Polyamides thimble
●	●	●	●	●	●	●	●	●	●	●	●	Operating temperature between + 5°C to + 60°C.

ON REQUEST OPTIONS B-RI-F

							●	●	●	●	●	B: Locking-unlocking device with control from the floor
							●	●	●	●	●	RI: Rotary insulated hook
					●							F: Brake device

PACKAGING FEATURES

	9300 9300NY	9301 9301NY	9302 9302NY	9303 9303NY	9311 9311NY	9312 9312NY	9313 9313NY	9320 9320NY	9321 9321NY	9322 9322NY	9323 9323NY
kg	0,50	0,60	0,60	0,70	0,70	0,70	0,80	1,80	2,1	2,1	2,5
mm	160x120x60	160x120x60	160x120x60	160x120x60	160x120x60	160x120x60	160x120x60	200x155x90	200x155x90	200x155x90	200x155x90
●	1/3	1/3	1/3	1/3	2/4	2/4	2/4	5/6	5/6	5/6	5/6
	9336 9336NY	9337 9337NY	9338 9338NY	9339 9339NY	9340 9340NY	9346 9346NY	9347 9347NY	9348 9348NY	9349 9349NY	9350 9350NY	9354 9354G
kg	3,40	3,60	3,70	3,70	3,80	3,40	3,60	3,70	3,80	3,90	6,00
mm	260x205x95	260x205x95	260x205x95	260x205x95	260x205x95	260x205x95	260x205x95	260x205x95	260x205x95	260x205x95	465x225x185
●	7/9	7/9	7/9	7/9	7/9	8/10	8/10	8/10	8/10	8/10	11/12
	9355 9355G	9356 9356G	9357 9357G	9358 9358G	9359 9359G	9361 9361G	9362 9362G	9363 9363G	9364 9364G	9365 9365G	9366 9366G
kg	6,40	6,80	7,40	7,00	7,60	11,80	12,10	12,40	13,30	13,30	14,10
mm	465x225x185	465x225x185	465x225x185	465x225x185	465x225x185	455x270x280	455x270x280	455x270x280	455x270x280	455x270x280	455x270x280
●	11/12	11/12	11/12	11/12	11/12	13/15	13/15	13/15	13/15	13/15	13/15
	9367 9367G	9368 9368G	9369 9369G	9370 9370G	9371 9371G	9401 9401G	9402 9402G	9403 9403G	9404 9404G	9405 9405G	9411 9411G
kg	14,10	15,00	15,80	18,80	19,70	22,70	24,10	24,10	25,10	26,10	28,50
mm	455x270x280	455x270x280	455x270x280	455x270x280	455x270x280	600x320x330	600x320x330	600x320x330	600x320x330	600x320x330	600x320x330
●	13/15	13/15	13/15	14/16	14/16	17/18	17/18	17/18	17/18	17/18	19/20
	9412 9412G	9413 9413G	9414 9414G	9422 9422G	9423 9423G	9424 9424G	9425 9425G	9426 9426G	9431 9431G	9432 9432G	9433 9433G
kg	29,70	30,80	31,40	40,00	41,90	42,20	44,30	46,60	22,70	22,70	24,10
mm	600x320x330	600x320x330	600x320x330	600x320x420	600x320x420	600x320x420	600x320x420	600x320x420	600x320x330	600x320x330	600x320x330
●	19/20	19/20	19/20	21/22	21/22	21/22	21/22	21/22	17/18	17/18	17/18
	9434 9434G	9435 9435G	9436 9436G	9441 9441G	9442 9442G	9443 9443G	9444 9444G	9451 9451G	9452 9452G	9453 9453G	9454 9454G
kg	27,50	26,60	27,60	28,50	29,70	30,80	31,40	40,00	40,10	41,90	42,20
mm	600x320x330	600x320x330	600x320x330	600x320x330	600x320x330	600x320x330	600x320x330	600x320x420	600x320x420	600x320x420	600x320x420
●	19/20	19/20	19/20	19/20	19/20	19/20	19/20	21/22	21/22	21/22	21/22
	9455 9455G	9456 9456G	9502	9503	9504	9505	9506	9507	9508	9509	9520
kg	44,30	46,60	14,40	17,00	17,30	18,50	17,30	19,50	18,00	18,60	14,60
mm	600x320x420	600x320x420	455x270x280	455x270x280	455x270x280	455x270x280	455x270x280	455x270x280	455x270x280	455x270x280	455x270x280
●	21/22	21/22	23	23	23	23	23	23	23	23	23
	9521	9522	9523	9524	9525	9200	9201	9202	9203		
kg	14,40	17,60	17,20	18,40	17,50	1,40	1,40	1,60	1,60		
mm	455x270x280	455x270x280	455x270x280	455x270x280	455x270x280	225x160x110	225x160x110	225x160x110	225x160x110		
●	23	23	23	23	23	24	24	24	24		