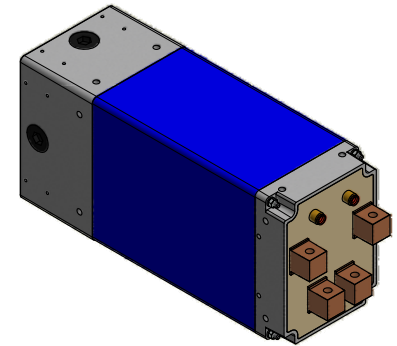
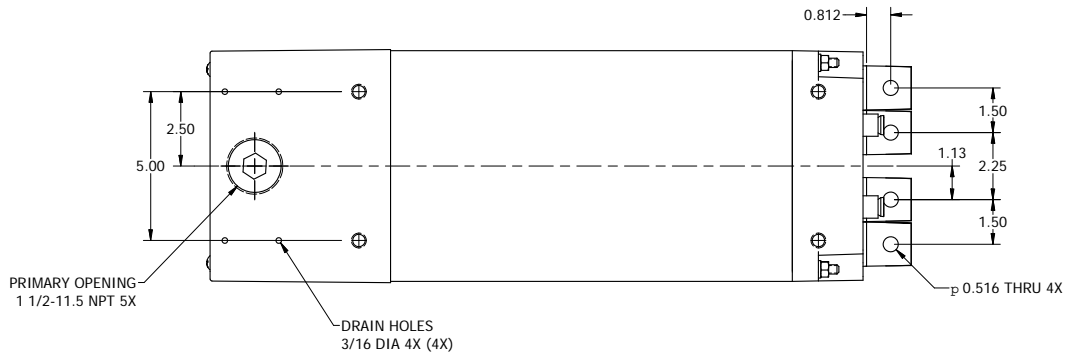
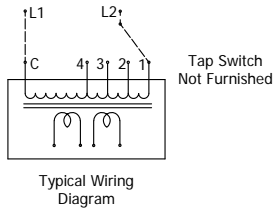
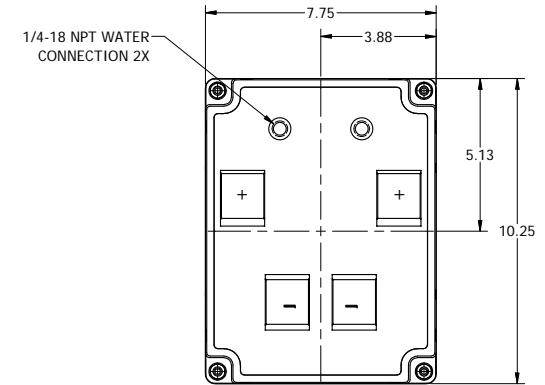
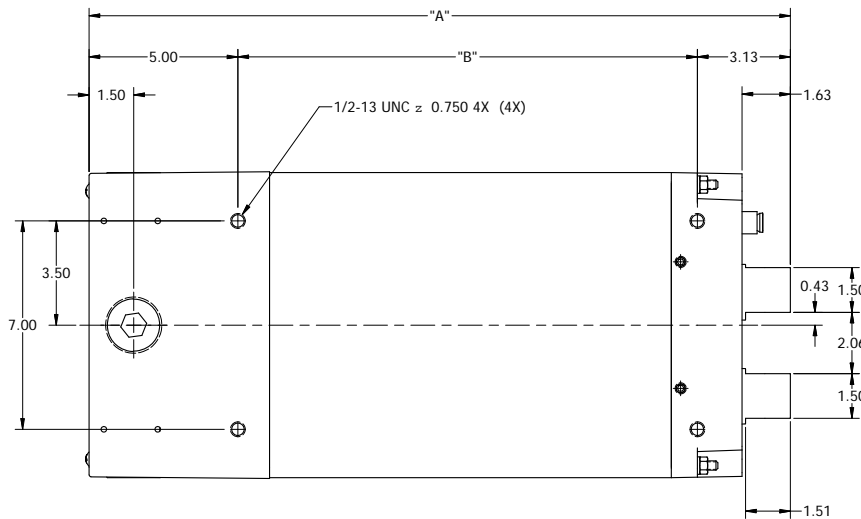
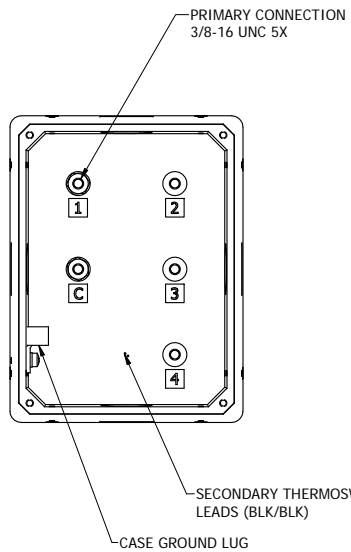


FRAME	Dimension "A"	Dimension "B"	Weight
C	21.06	12.93	255#
D	23.56	15.43	305#
F	24.38	16.25	320#
DL	27.69	19.56	385#



WATER FLOW 1 GPM MIN. @ 30°C (86°F)



B	ADDED POLARITY MARKINGS	BCC	KLY	3/20/2013
A	CHANGED ORIENTATION OF PRIMARY STUDS, ADDED WIRING DIAGRAM	EJM	KLY	10/15/2012
REV	DESCRIPTION			DATE
SCALE:	NONE	DESIGNED BY:	armlederma	
DATE:	10/10/2012	APPROX	DATE:	N/A
<b>TRANSFORMER ASSEMBLY</b>				
ROMAN STAGGERED - C, D, F, DL				DRAWING NUMBER: <b>R4587</b>