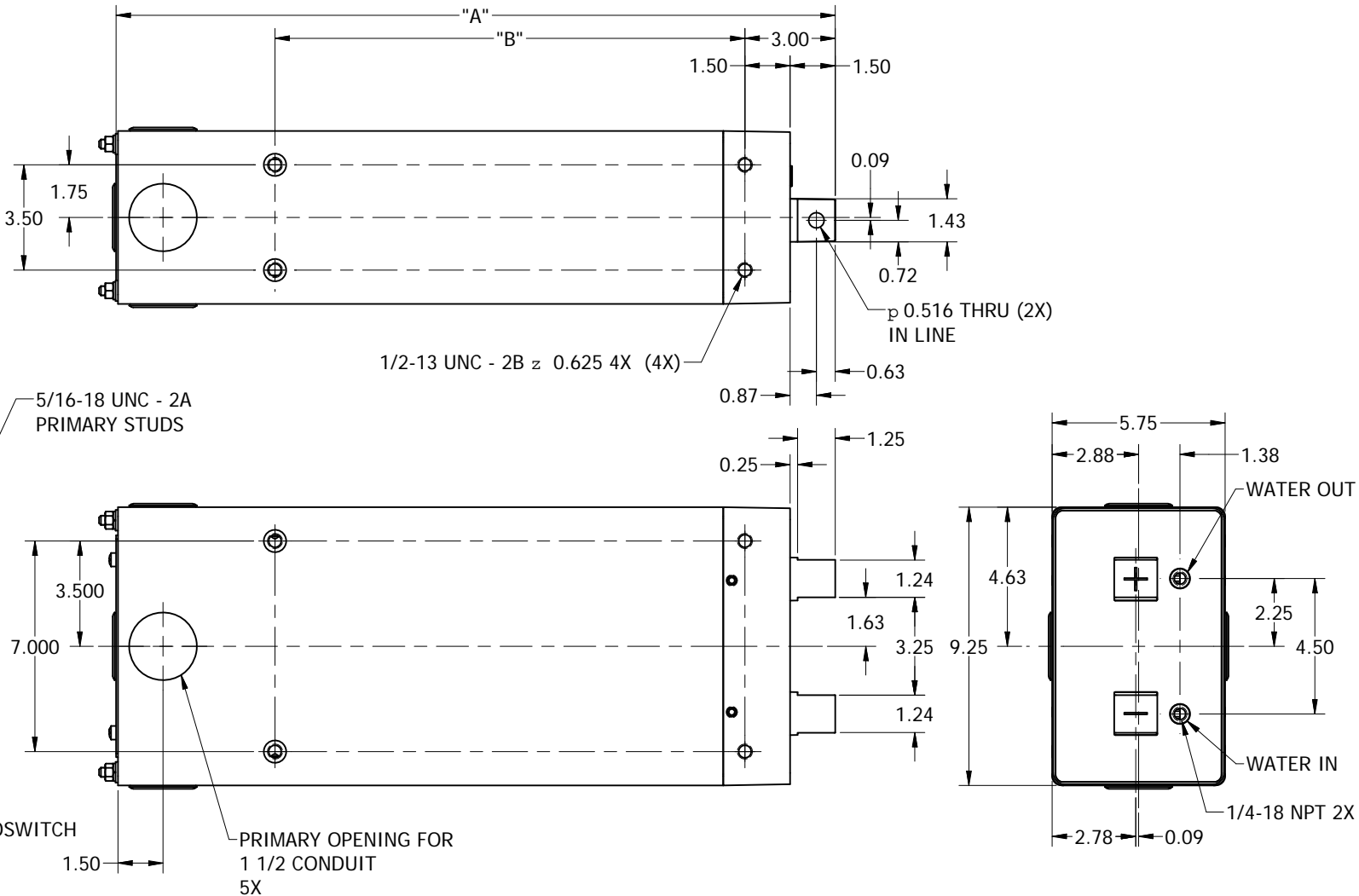


FRAME LETTER	DIM "A"	DIM "B"
AS	16.25	8.00
ES	17.38	9.12
BS	19.25	11.00
JS	21.00	12.75
DS	23.88	15.62



SHOWN WITH COVER REMOVED FOR CLARITY

COOLING REQUIREMENTS: 1 GPM MIN @ 30°C MAX

REV	DESCRIPTION	DATE
A	Primary Label "C" was "L"	1/17/2013

THIS DRAWING AND ALL THE INFORMATION AND TECHNOLOGY IN IT ARE EXCLUSIVE, CONFIDENTIAL AND PROPRIETARY TO ROMAN MFG. INC. THIS DRAWING IS OWNED BY ROMAN MFG. INC. AND UNLESS SPECIFICALLY AUTHORIZED IN WRITING, NO COPIES SHALL BE MADE OF THIS DRAWING, AND SHALL BE USED ONLY FOR THE LIMITED PURPOSE FOR WHICH IT IS DISCLOSED AND ONLY TO THE BENEFIT OF ROMAN MFG. INC., AND IT AND ANY COPIES, AUTHORIZED OR NOT, SHALL BE IMMEDIATELY RETURNED UPON ANY REQUEST THEREFOR.

SCALE: NONE	DRAWN BY: emiedema
DATE: 8/16/2012	APPROX WEIGHT: N/A

TRANSFORMER ASSEMBLY

	FIXTURE TYPE	DRAWING NUMBER: R4546
--	--------------	-----------------------