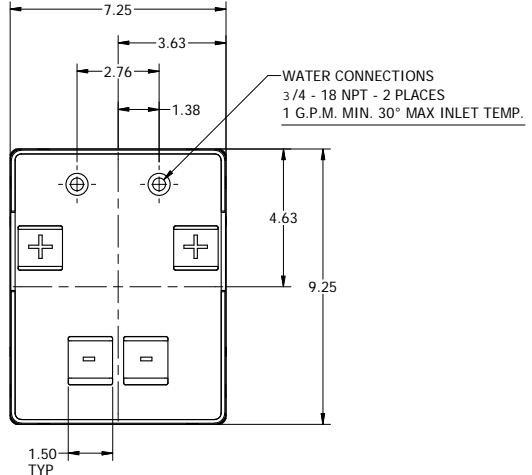
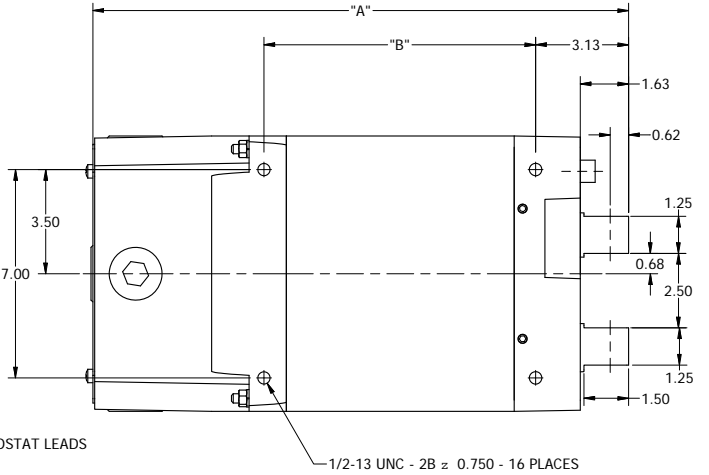
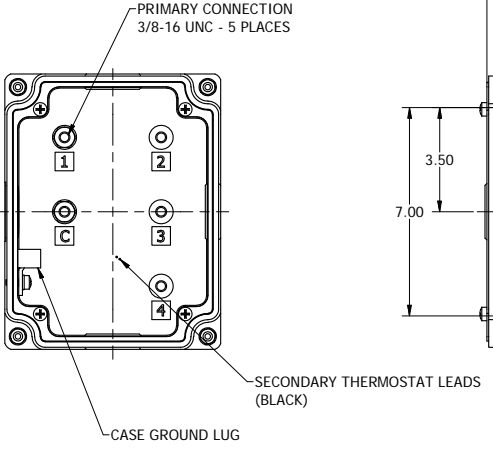
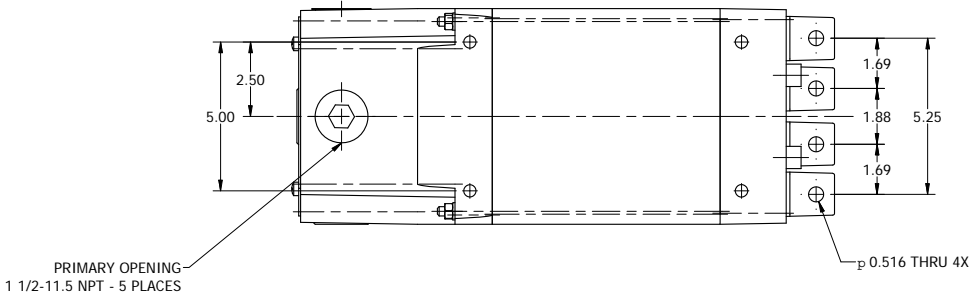
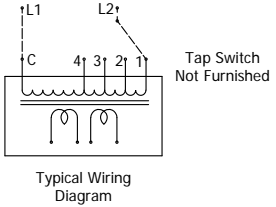


FRAME	Dimension "A"	Dimension "B"
A	16.88	8.00
E	18.00	9.12
B	19.88	11.00
J	21.62	12.75
JL	25.00	16.12



REV	DESCRIPTION	EJM	KLY	DATE
A	CHANGED ORIENTATION OF PRIMARY STUDS. ADDED WIRING DIAGRAM			10/15/2012
REV	DESCRIPTION			DATE
SCALE	NONE	APPROVED BY	JAC/ST	
DATE	7/6/2012	APPROVED BY	166.0 lbmass	
<b>TRANSFORMER ASSEMBLY</b>				
RWMA STAGGERED - A-E, J, JL				DRAWING NUMBER: <b>R4506</b>